

PRICE PUMP CO.

#1 Pump Way P.O. Box Q
 Sonoma, CA 95476 (707) 938-8441
 707-FAX 938-0764

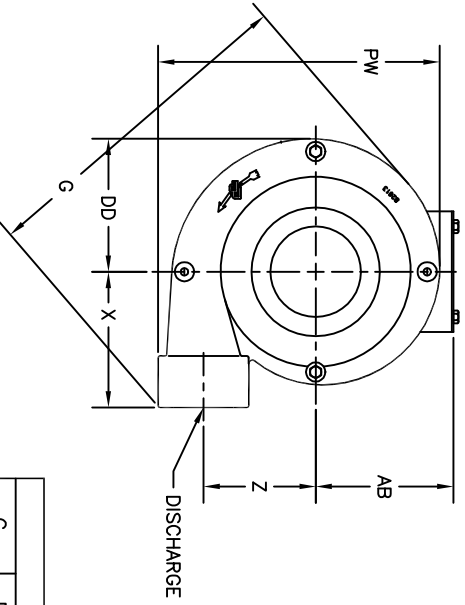
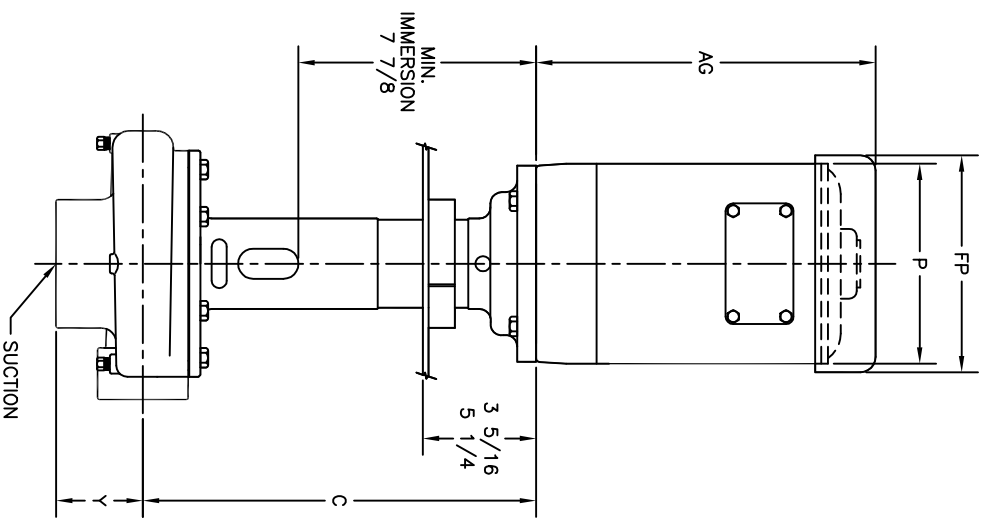
FACTORY FAX TRANSMITTAL DRAWING

REV. B

DATE 1/28/93

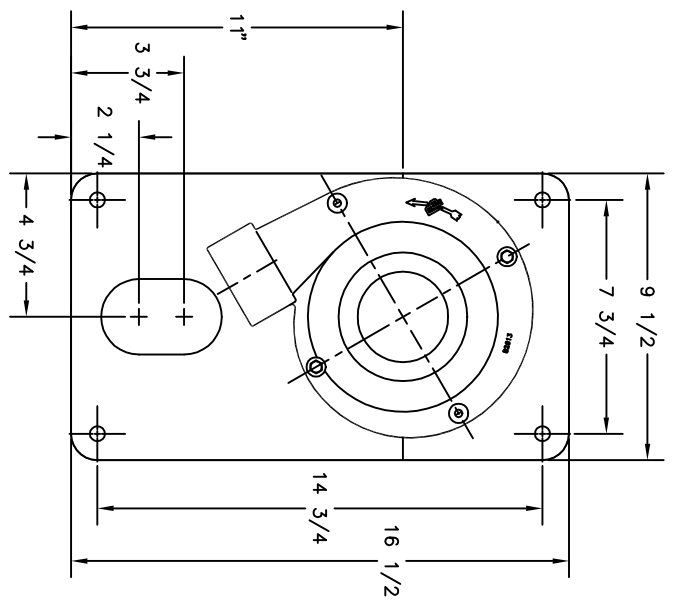
REF. NO. O-XTAI-V

DESCRIPTION XT-AI VERTICAL MOTOR PUMP ASSEMBLY



HP	RPM	FRM	AG	FP	P	AB
1 1/2	3600	145JM	11 1/4	6 7/8	6 1/2	5 1/4
2	3600	145JM	11 1/4	6 7/8	6 1/2	5 1/4
3	3600	145JM	11 1/4	6 7/8	6 1/2	5 1/4
5	3600	182JM	13 13/16	8 7/16	6 1/2	5 7/8
7 1/2	3600	184JM	15 5/16	8 7/16	6 1/2	5 7/8
10	3600	215JM	14 7/16	10 3/16	9 9/16	7 3/8
15	3600	215JM	14 7/16	10 3/16	9 9/16	7 3/8

JM MOTOR END DIMENSIONS TFC (VERT)



PUMP END DIMENSIONS									
	G	DD	PW	X	C	Y	Z	SUCTION	DISCHG
XT100	10"	4"	8 3/8	4"	12 7/8	2 3/8	3 1/2	1-1/2"	1"
XT150	10 7/16	4 1/8	8 3/4	4 1/4	12 7/8	3 1/4	3 5/8	2"	1-1/2"
XT200	11 1/8	4 3/8	9 3/8	4 1/2	13 1/16	2 7/8	3 3/4	3"	2"

NOTE: DUE TO CASTING VARIATIONS, SOME DIMENSIONS MAY VARY AN 1/8 INCH.

NOTE:
 MOTOR DIMENSIONS WILL VARY BY MODEL AND MAKE.
 DIMENSIONS ARE TO BE USED FOR REFERENCE ONLY.
 10 AND 15 HP MOTORS ARE BALDOR 215 JM W/ 184 FACE.